

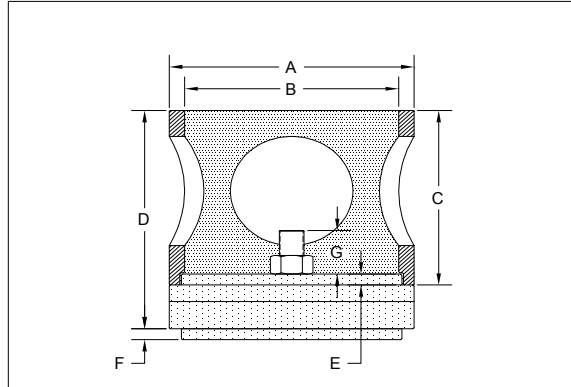
VALVE INSTALLATION TOOL DATA SHEET

Customer / Location _____
 Machine / Stage _____
 Date _____

*** Please supply sample Valve & Chair if possible ***
 *** All fields required unless otherwise noted ***

VALVE & CHAIR DATA

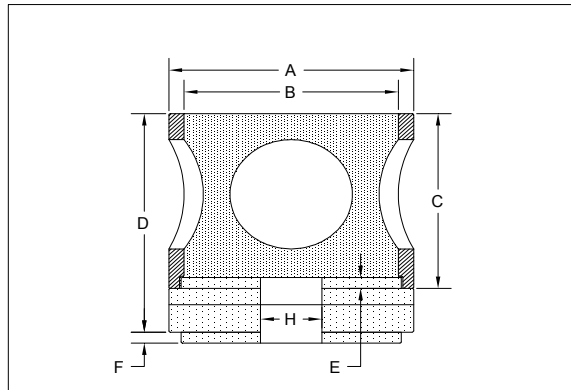
A	Maximum OD of Valve / Chair	
B	ID of Chair	
C	Height of Chair	
D	Effective Height of Valve + Chair	
E	Valve Top Protrusion	
F	Valve Bottom Protrusion	
G	Center Stud Height	
	Center Stud Diameter	
	Center Stud Threads per Inch	
	Valve Weight	
	Chair Weight	



Submit photos of Chair. If Chair design is other than shown here, submit a sketch as well.

VALVE & CHAIR DATA - PARTIAL VALVE ONLY

A	Maximum OD of Valve / Chair	
B	ID of Chair	
C	Height of Chair	
D	Effective Height of Valve + Chair	
E	Valve Top Protrusion	
F	Valve Bottom Protrusion	
H	Partial Valve ID	
	Valve Weight	
	Chair Weight	



Submit photos of Chair. If Chair design is other than shown here, submit a sketch as well.

VALVE PORT / CYLINDER DATA

J	Depth to Gasket Surface	
K	ID of Valve Port	
	Bolt Diameter	
	Bolt Quantity	
L	Bolt Height	
M	Distance to Nearest Obstruction	

Specify EITHER N or P

N	Bolt Circle	
P	Bolts Outside to Outside	
	Is 1st Bolt at Top Dead Center of Pattern?	YES / NO

